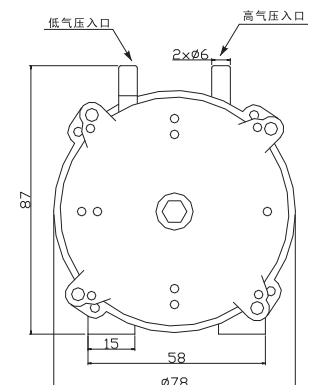
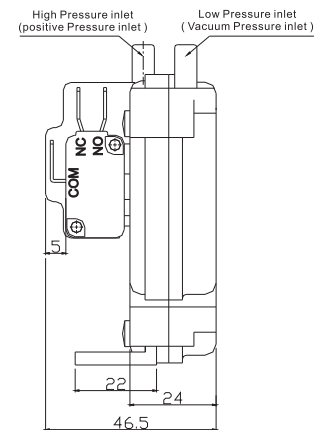


# LF30(LFAS) Pressure Switch

The LF30 employs a differential pressure to actuate a precision micro switch at a chosen pressure setting. This may be the difference between atmospheric and a negative or positive pressure or between any two given pressures. When a change of pressure occurs between the negative pressure chamber and the positive pressure chamber, the main diaphragm activates the micro switch at a pre-determined value.



尺寸单位: mm  
(Dimension in mm)

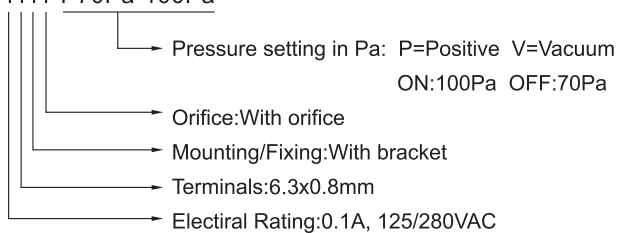
## Specification

Model	LF30(LFAS)
Media	Air, products of combustion or natural gas
Mounting /Fixing	4 screws with maximum penetration depth of 6.3mm into appropriate mounting holes, or fixed with optional bracket.
Mounting Position	The LFAS is position sensitive. It may be mounted in most positions provided it has been calibrated.
Pressure Range	0.4mbar to 8.0mbar make on positive or negative pressure rise. Minimum upper switching pressure 0.4mbar. Minimum lower switching pressure 0.2mbar.
Switch Differential	Not less than 0.1mbar and not greater than 0.3mbar depending on pressure settings.
Maximum Operating Pressure	10mbar pmax=50mbar.
Operating Temperature Range	-30~85 °C
Electric Rating	0.1A, 3A, 5A, 125/250VAC. Other ratings are available on request.
Contact Arrangement	SPDT or SPST
Terminals	6.3 or 4.8mm male Q.C. Optional insulation cover available as necessary.
Calibration Tolerance	Standard production tolerance at ambient temperature is $\pm 0.10$ mbar or $\pm 5\%$ of set point, whichever is the greater.

Conversion: 1mbar=100pa 1" W.C.=249pa

## LF30 Order Ref No:

i.e.: LF30-1111-P70Pa-100Pa



Number	Electrical Rating	Terminals	Mounting/Fixing	Orifice
0	/	/	None	None
1	0.1A, 125/250VAC	6.3x0.8mm	With bracket	With orifice
2	3A, 125/250VAC	4.8x0.5mm	/	/
3	5A, 125/250VAC	/	/	/
4	15A, 125/250VAC	/	/	/