

## 5MFB-K

### Function

Helios Series electric actuator used in HAVC control system of office building, factory Hotel ,hospital and museum etc. It can adjust the value of the flux accurately.

### Character

- Installation** Easily connect damper and actuator with allen screw.
- Long Life** Brushless Motor makes the actuator get longer life and lower noise.
- Manual** It can be manual override when turning manual button with a hex wrench, and hold position when turning the lock button.
- High-level Protection** Series product are IP54.
- Safety** The actuator can be overload protection without limit switches.



### Parameter

- Torque:** 5Nm
- Running time:** 35s for 95°
- Direction:** changed by direction button
- Sound power level:** 35dB
- Life:** over 60,000 times
- Manual** Push the manual override button to manual override: and release to renew

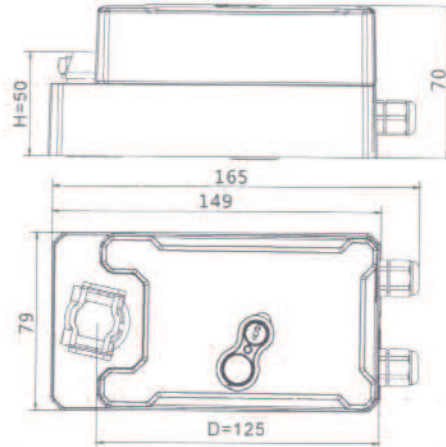
### Electrical data

- Normal Voltage:** 24V AC/DC
- Voltage range:** 19.2~28.8V
- Power consumption:** 2.5W running/1W hold
- Control signal:** 2(0)~10V DC
- Feedback signal:** 1 SPDT
- Connect:** 1m, 2-3x0.75mm

### Safety

- Protection class:** III Safety extra-low voltage
- Degree of protection:** IP54
- CE:** 89/336/EEC
- Ambient temperature:** -30 ~ +50°C
- No-operation temperature:** -40 ~ +80°C
- Humidity test:** 95%RH, no condensing(EN60730-1)

### Measurement



### Size/Weight

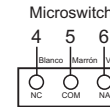
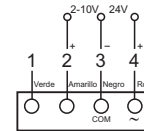
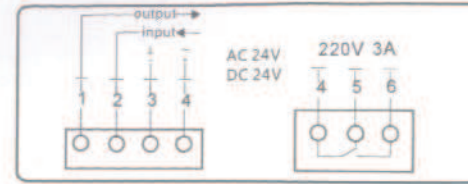
- Size(LXWXH) :** 165x79x70(mm)
- Weight :** 0.8kg
- Connect :** 6~18mm

### Notice

- The damper actuator cannot be used in the places which are not the specified application, especially in aircraft and its related fields
- Assembly must be carried out by trained or experienced personal with being conducted by authorities. During assembly, any legal regulations or regulations issued by authorities must be observed.
- The device must be opened just at the manufacture product does not contain any parts which can be replaced or repaired by the user.
- The cable can not be removed from the device. When calculating the required torque, the specifications supplied by the damper manufacturers(cross section, design, installation site)and the air flow conditions must be observed.
- The device contains electrical and electronic components which are not allowed to be disposed of as household refuse, but strictly observing all locally valid regulations and requirements. don't spray the assembling surface!



### Electrical connect



### Installation

