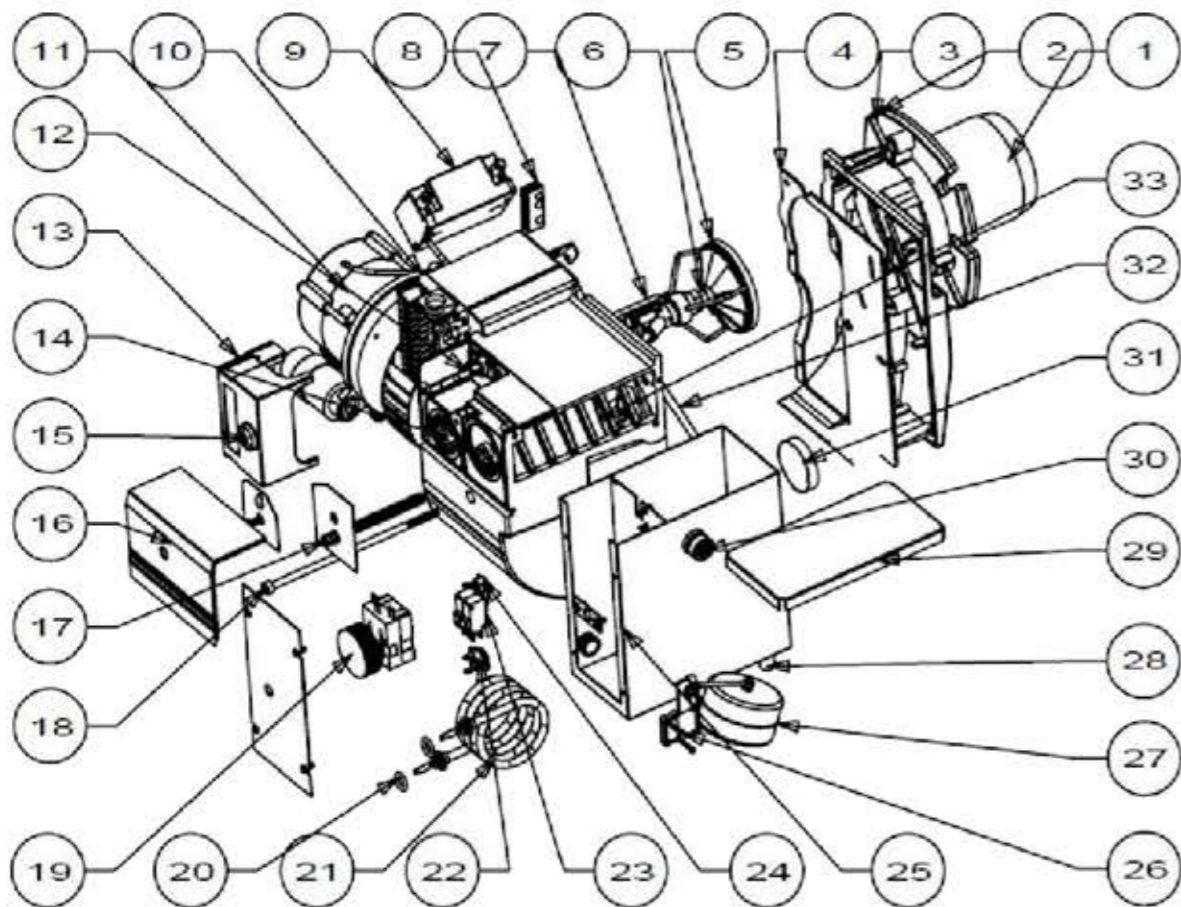


DESCRIPCION quemadores automaticos con sistema de precalentamiento de combustible liquido de aceites residuales.



- | | | | |
|--------------------|---------------------|---------------------------|-------------------------|
| 1. Blast tube | 9. Transformer | 17. Air regulator | 25. Oil tank |
| 2. Asbestos gasket | 10. Controller base | 18. Body screw | 26. Level switch base |
| 3. Flange | 11. Motor | 19. Oil temperature | 27. Float ball |
| 4. Body gasket | 12. Photocell | 20. Seal gasket | 28. Overflow connector |
| 5. Brake plate | 13. Controller | 21. Heating tube | 29. Oil tank cover |
| 6. Oil nozzle | 14. Compressor air | 22. Limits of controller | 30. Oil inlet connector |
| 7. Heater | 15. Reset button | 23. Level switch | 31. Filter |
| 8. Rubber block | 16. Cover | 24. Level height adjustor | 32. Oil pipe |
| | | | 33. Air inlet |



STW120



STW120-P



STW133



STW133-2P