



GOVERNORS

Line Pressure Regulators
Mod. Stab.300-310

GOVERNOR

Line Pressure Regulators

Introduction

Pietro Fiorentini self-operated pressure governors are designed and manufactured according to the latest international standards.

The devices are therefore suitable for every type of installation, both indoors and outdoors. The governors are the ideal solution for burners feeding and for the canalized distribution of low pressure gas, both domestic and industrial. The materials and components in use allow the governors to operate with various types of gas: Natural gas, LPG, propane and any other non-corrosive gases.

All **Pietro Fiorentini** governors are equipped with a balanced shutter that provides high accuracy in the regulation of the outlet pressure, even in case of high and sudden variations in the inlet pressure. When installed in a closed environment, the presence of the safety diaphragm allows (if this is forecast by the legislation in force) to eliminate the overflow conveyance outside. The optional add-on devices, all within a single body, allow the governor to perform several functions while significantly reducing installation and maintenance costs.



**GOVERNOR WITH OR
WITHOUT FILTER**



**GOVERNOR WITH SHUT
OFF VALVE**



**GOVERNOR WITH
VERTICAL OUTLET**

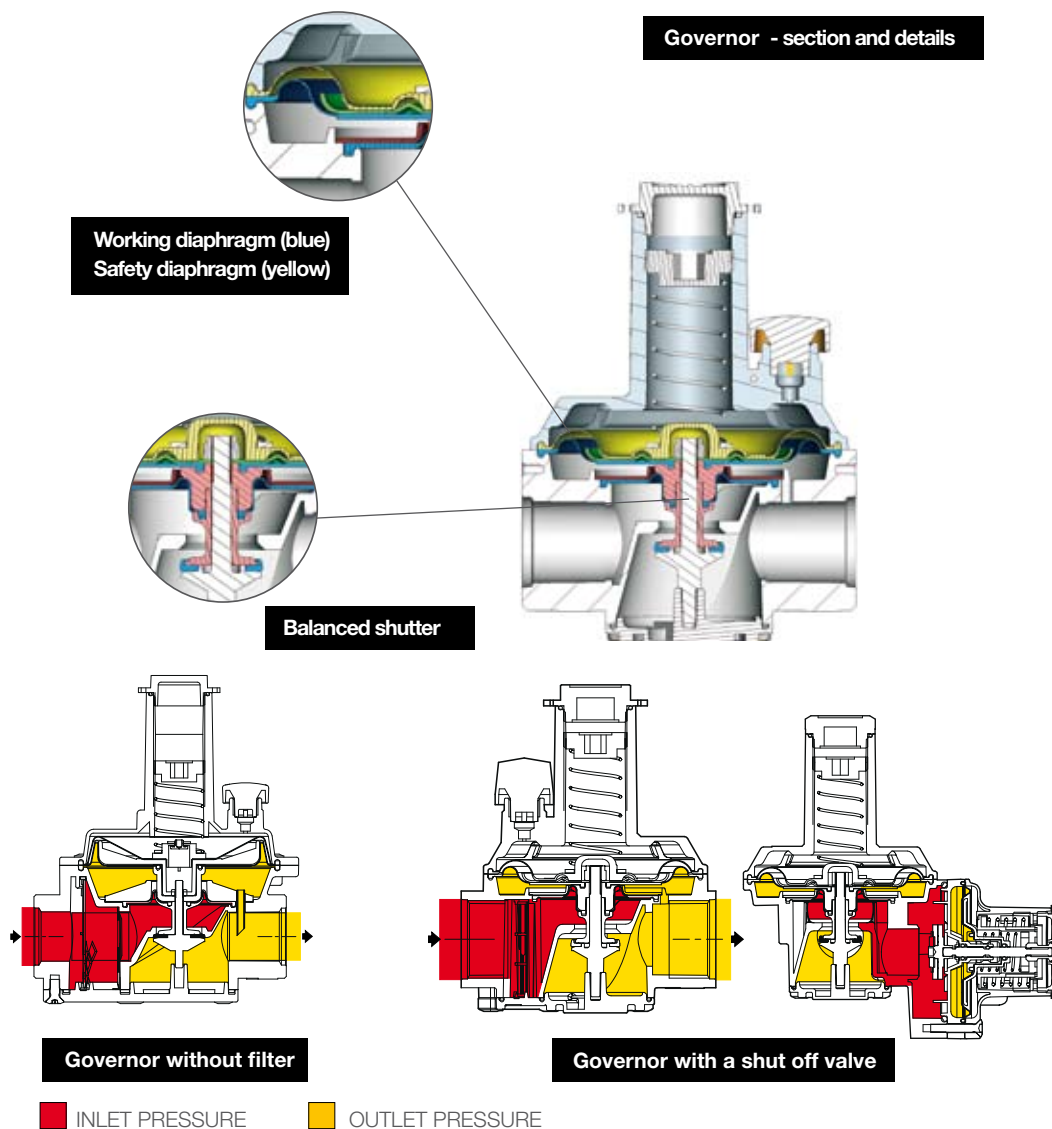


**GOVERNOR WITH
INTEGRAL FLANGES**

Designed With Your Needs In Mind

- Safety Diaphragm
- High Flow Rates Guaranteed
- Balanced Shutter
- Line or Square Connections

GOVERNOR



Main Features

BODY

EN AB 46100

COVER

EN AB 46100
ZAMAK 3 INI EN 1774

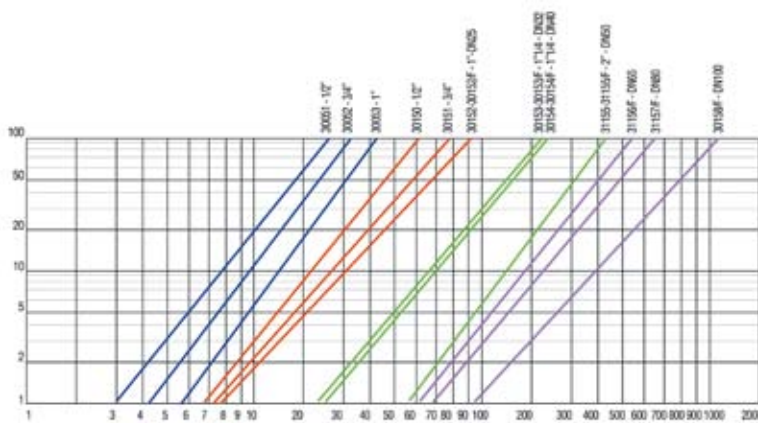
SURFACE TREATMENT

POWDER COATING - on request

THREADED CONNECTIONS		C ₁	C _g
Mod.	Rp		
30051	1/2" ***	30	80
30052	3/4" **	30	100
30053	1" **	30	130
30150	1/2" *	30	190
30151	3/4"	30	240
30152	1"	30	285
30153	1 1/4"	30	680
30154	1 1/2"	30	710
30155	2"	30	1300

FLANGED CONNECTIONS		C ₁	C _g
Mod.	Dn		
30152/F	25 / Sliding	30	285
30153/F	32 / Sliding	30	680
30154/F	40 / Sliding	30	710
30155/F	50 / Sliding	30	1300
30156/F	65	30	1650
30157/F	80	30	2000
30158/F	100	30	3500

* Body by 3/4" with 1/2" reduction included in the box
 ** Also available in square or Q version (2 active outlets)



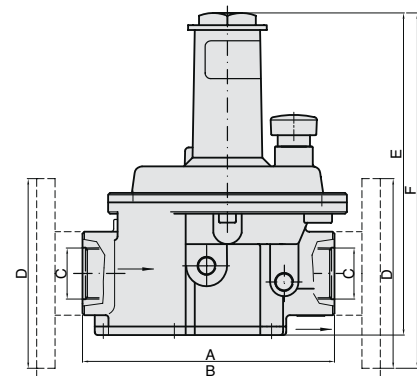
- BPU inlet pressure range: from +2.5 mbar compared to the rated outlet pressure (with Pu max 500 mbar).
- Design pressure PS: 1 bar
- Wd outlet pressure range: 5÷300 mbar (for compact models 31051-52-53 Wd outlet pressure range 5÷150 mbar).
- AC Accuracy class: 15% of the Pd calibration value
- SG Closing pressure class: +7.5 mbar/up to +30% of the Pd calibration value
- Temperature range: -15 °C + 60 °C
- Filter (filtration degree) 50 µm

GPL flow rate: multiply the table value x 1.2
 Nitrogen flow rate: multiply the table value x 0.789

IT COMPLIES WITH EEC DIRECTIVE 90/396

DIMENSIONS (IN MM)

# Model	A	B	C	D	E	F
1/2"	109		1/2"		142	
3/4"	109		3/4"		142	
1"	109		1"		142	
1/2"	138		1/2"		175	
3/4"	134		3/4"		175	
1"	134		1"		175	
1 1/4"	194		1-1/4"		254	
1 1/2"	194		1-1/2"		254	
2"	236		2"		316	
1" * DN25/S		235		1" * DN25/S		195
1 1/4" * DN32/S		286		1 1/4" * DN32/S		280
1 1/2" * DN40/S		311		1 1/2" * DN40/S		285
2" * DN50/S		352		2" * DN50/S		349
2 1/2" DN65		430		2 1/2" DN65		430
3" DN80		430		3" DN80		430
4" DN100		430		4" DN100		430



Governor without filter

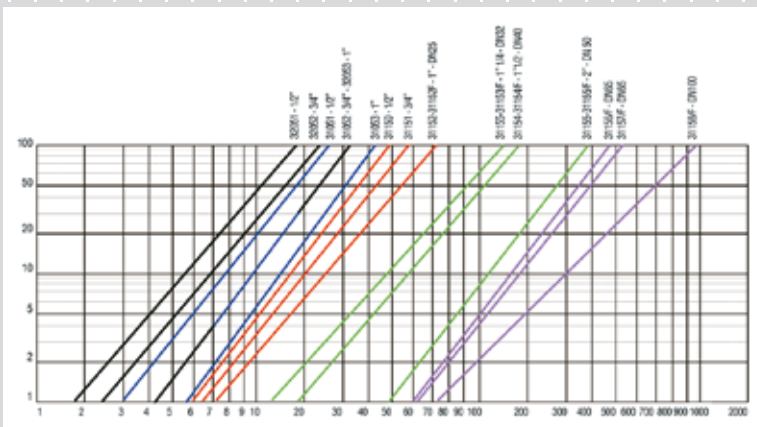
* Sliding flanges

THREADED CONNECTIONS		C ₁	C _g
Mod.	Rp		
31051	1/2" ***	30	80
31052	3/4" **	30	100
31053	1" **	30	130
31150	1/2" *	30	150
31151	3/4"	30	175
31152	1"	30	220
31153	1 1/4"	30	460
31154	1 1/2"	30	570
31155	2"	30	1150

FLANGED CONNECTIONS		C ₁	C _g
Mod.	Dn		
30152/F	25 / Sliding	30	220
30153/F	32 / Sliding	30	460
30154/F	40 / Sliding	30	570
30155/F	50 / Sliding	30	1150
30156/F	65	30	1450
30157/F	80	30	1600
30158/F	100	30	2850

THREADED - WITH BLOCK		C ₁	C _g
Mod.	Dn		
32051	1/2" ***	30	56
32052	3/4" **	30	70
32053	1" **	30	100

* Body by 3/4" with 1/2" reduction in the box
 ** Also available in square or Q version (2 active outlet)



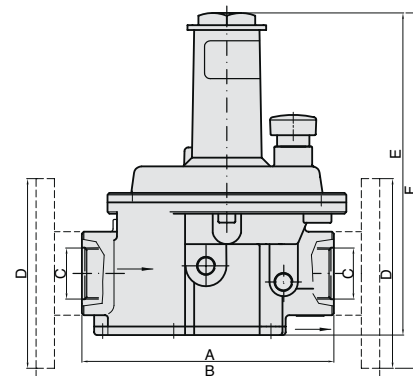
- BPU inlet pressure range: from +2.5 mbar compared to the rated outlet pressure (with Pu max 500 mbar).
- Design pressure PS: 1 bar
- Wd outlet pressure range: 5÷300 mbar (for compact models 31051-52-53 Wd outlet pressure range 5÷150 mbar).
- Accuracy class AC: 15% of the Pd calibration value
- SG Closing pressure class: +7.5 mbar/up to +30% of the Pd calibration value
- Temperature range -15 °C + 60 °C
- Filter (filtration degree) 50 µm

GPL flow rate: multiply the table value x 1.2
 Nitrogen flow rate: multiply the table value x 0,789

IT COMPLIES WITH EEC DIRECTIVE 90/396

DIMENSIONS (IN MM)

# Model	A	B	C	D	E	F
1/2"	109		1/2"		142	
3/4"	109		3/4"		142	
1"	109		1"		142	
1/2"	138		1/2"		175	
3/4"	134		3/4"		175	
1"	134		1"		175	
1 1/4"	194		1-1/4"		254	
1 1/2"	194		1-1/2"		254	
2"	236		2"		316	
1" * DN25/S		235		1" * DN25/S		195
1 1/4" * DN32/S		286		1 1/4" * DN32/S		280
1 1/2" * DN40/S		311		1 1/2" * DN40/S		285
2" * DN50/S		352		2" * DN50/S		349
2 1/2" DN65		430		2 1/2" DN65		430
3" DN80		430		3" DN80		430
4" DN100		430		4" DN100		430



Governor with filter

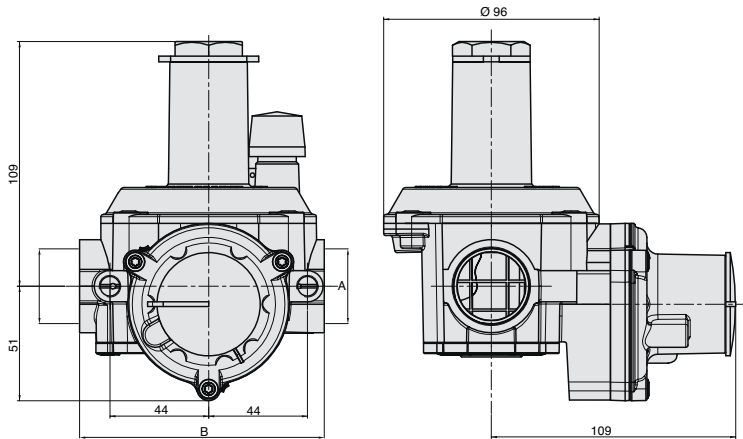
* Sliding flanges

Governor with a shut off valve for maximum pressure/minimum pressure

(also available with minimum pressure shut off only or with maximum pressure shut off only).



Connections



A	B
1/2"	113
3/4"	109
1"	109

Adjustment Springs

GOVERNOR

GOVERNOR MODEL	30051/52/53 31051/52/53	30150/51/52 31150/51/52	30153/54/54F 31153/54/54F	30155-30155/F 31155-31155F	30156F-30157F-30158F 31156F-31157F-31158F
SPRING RANGE mbar (wc) / color	SPRING CODE				
5 - 13 (2 - 5.2) Green	64470219	64470228	64470246	64470255	64470320
7 - 20 (2.8 - 8) Red	64470220	64470229	64470247	64470256	64470324
10 - 30 (4 - 12) White	64470221	64470230	64470248	64470257	64470325
15 - 35 (6 - 14) Black	64470379	64470380	64470381	64470382	64470383
25 - 70 (10 - 28.1) Yellow	64470295	64470297	64470299	64470301	64470321
60 - 150 (24.1 - 60.3) Violet	64470296	64470298	64470300	64470302	64470322
140 - 300 (56.2 - 120.6) Orange		64470235	64470253	64470262	64470323

SPRINGS FOR OVER PRESSURE SHUT OFF (OPSO)		
CODE	RANGE (mbar)	RANGE (KPa)
64470197	35 - 50	3.5 - 5.0
64470198	50 - 70	5.0 - 7.0
64470199	70 - 100	7.0 - 10.0
64470200	100 - 160	10.0 - 16.0
64470113	160 - 220	16.0 - 22.0
64470201	220 - 300	22.0 - 30.0

SPRINGS FOR UNDER PRESSURE SHUT OFF (UPSO)		
CODE	RANGE (mbar)	RANGE (KPa)
64470120	8 - 21	0.8 - 2.1
64470121	21 - 35	2.1 - 3.5
64470122	35 - 55	3.5 - 5.5
64470202	55 - 80	5.5 - 8.0

Packaging Sizes

GOVERNOR

REFERENCE	PIECES No.	SIZE cm	VOLUME m3	WEIGHT Kg	PALLET MAX LxDxH cm.		
					PIECES Nr.	WEIGHT Kg	VOLUME m3
30051 - 30052 - 30053 - 31051 - 31052 - 31053	20	70 x 30 x 20	0.04	14	120 x 80 x 152		
					500	350	1.46
30150 - 30151 - 30152 - 31150 - 31151 - 31152	10	70 x 30 x 20	0.04	12.5	120 x 80 x 152		
					250	312	1.46
30153 - 31153 - 30154 - 31154	1	20 x 20 x 27	0.011	3.4	120 x 80 x 152		
					150	540	2.11
30155 - 31155	1	38 x 27 x 35	0.036	5.6	120 x 80 x 220		
					150	280	220
30152/F - 31152/F	1	20 x 20 x 27	0.11	3.3	120 x 80 x 220		
					150	500	2.11
30153/F - 30154/F - 31153/F - 31154/F	1	29 x 21 x 31.5	0.019	6.2-7.0	120 x 80 x 220		
					72	450-510	1.92
30155/F - 31155/F	1	38 x 27 x 35	0,036	10.3	120 x 80 x 220		
					50	515	2.11
30156/F - 30157/F - 30158/F 31156/F - 31157/F - 31158/F	1	45 x 37 x 58.5	0,098	12.5	120 x 80 x 220		
					12	150	1.92
32051 - 32052 - 32053	10	70 x 30 x 20	0.04	11.0	120 x 80 x 220		
					250	275	1.46

LEGEND:

GOVERNOR

Ps = Design pressure
Pu = Inlet pressure
Pu max = Maximum inlet pressure
Pd = Outlet pressure
Pd max = Maximum allowable calibration

Wd = Adjustment range
Wdo = Max shut off adjustment range
Wdu = Min. shut off adjustment range
Bpu = Inlet pressure range
Pds = Set point

AC/AG = Accuracy
SG = Closing pressure class
Q = Flow rate capacity
C1 = Force coefficient
Cg = Flow rate coefficient

Residential and Commercial Applications



Dival 500



Filters



Norval



**Pietro
Fiorentini**

Pietro Fiorentini S.p.A.
via E.Fermi 8/10
I-36057 Arcugnano (VI) Italy

Tel. +39 0444 968.511
Fax. +39 0444 960.468

The data are not binding. We reserve the right to make eventual changes without prior notice.

CT-s 592-E September12

www.fiorentini.com